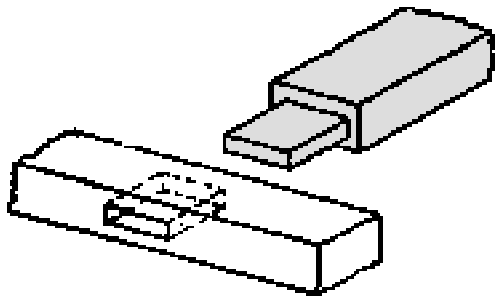
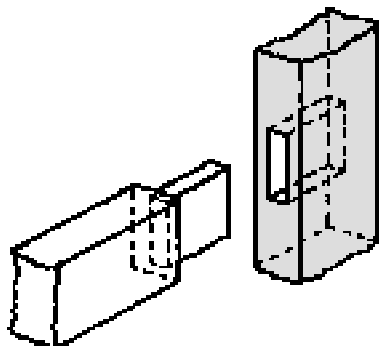


Name _____

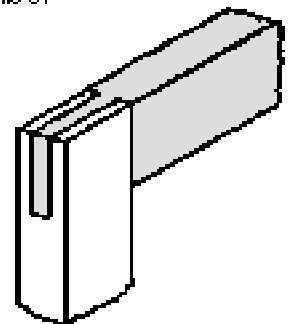
Number _____



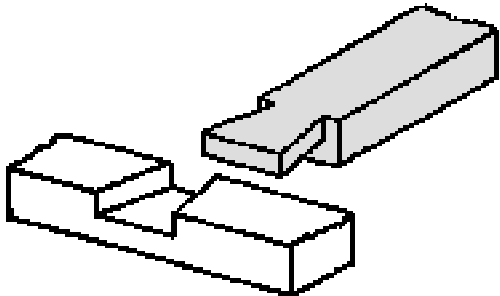
THRU MORTISE & TENNON



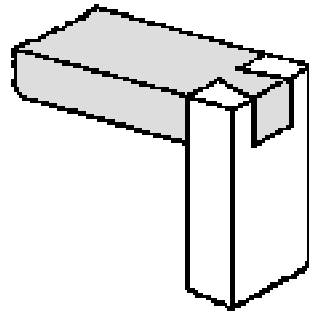
BLIND MORTISE & TENNON



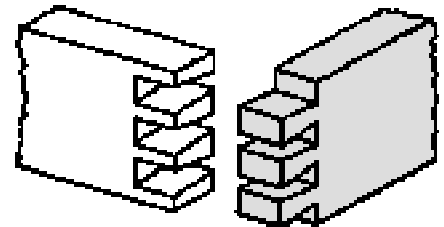
OPEN MORTISE & TENNON



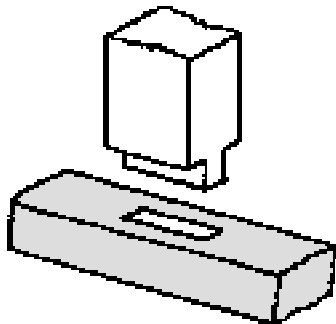
LAP DOVETAIL



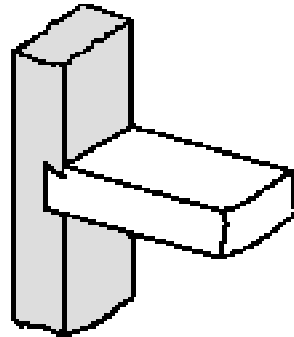
THRU SINGLE DOVETAIL



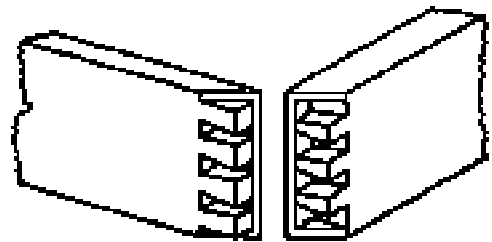
THRU MULTIPLE DOVETAIL



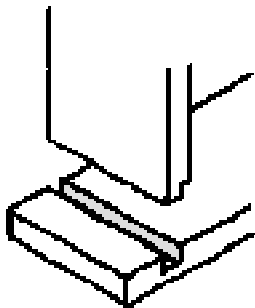
STUB MORTISE & TENNON



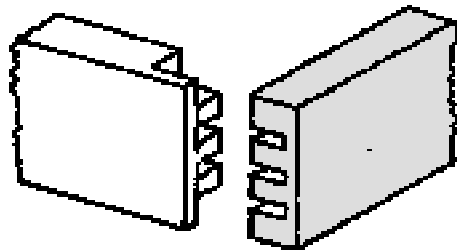
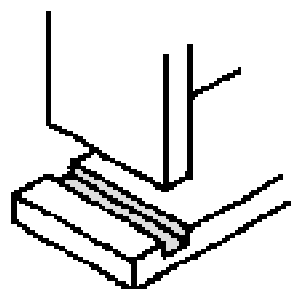
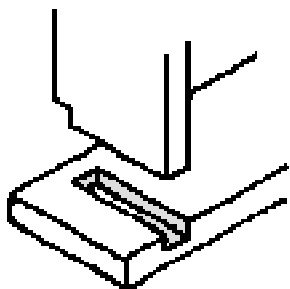
DOVETAIL DADO



BLIND MITRE OR SECRET DOVETAIL



STOPPED LAP DOVETAIL



**LAP DOVETAIL OR
BLIND DOVETAIL**

