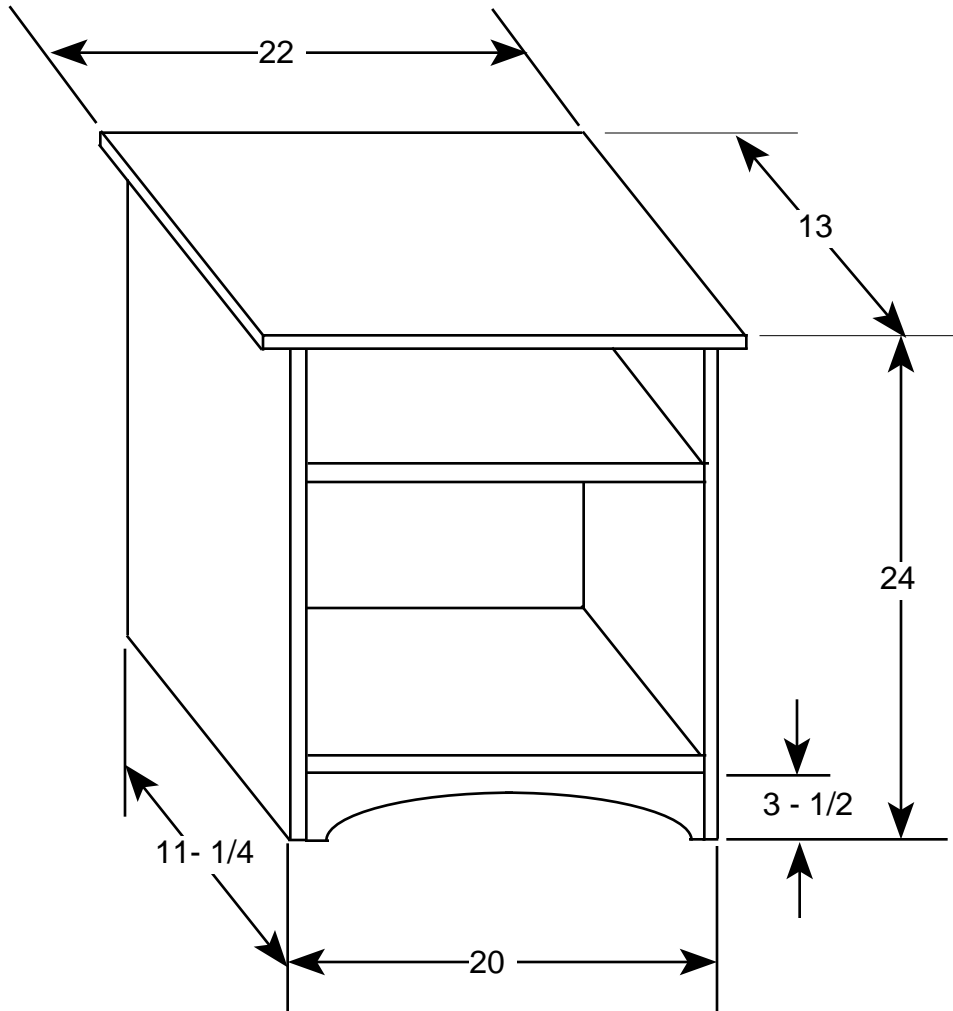


NIGHT STAND



Bill of material

Item name	Quantity	Thickness	X Width	X Length
Sides				
Top				
Bottom Shelf				
Baseboard				
Middle shelf				
Back				

